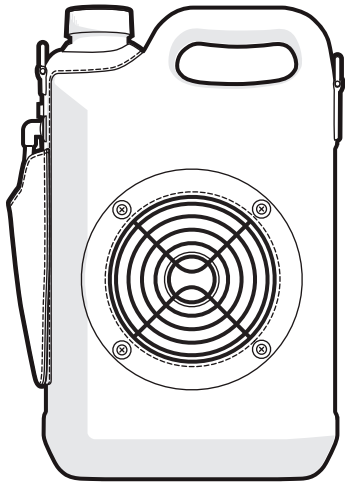
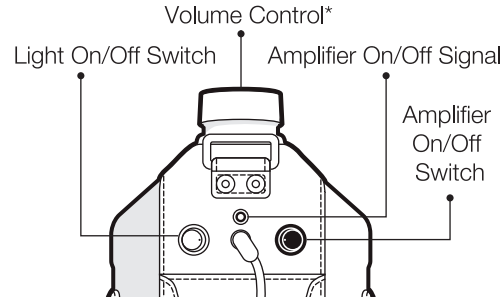


boombottle

Boombottle is a speaker system made from a waste plastic container. The plastic bottle is air sealed, waterproof and rugged, yet has a large internal volume, making it a nice speaker enclosure. When it is attached with speaker drives along with LED light, it becomes a portable and glow-in-the-dark speaker, perfect for playing music outdoors.



Controls



* Turn the volume control cap with extra care.
Stop turning when the knob reaches both ends.

Battery Life Estimation

On Batteries		On USB
Music	5 hrs	Unlimited Runtime
Music + Light	3 hrs	

- 1 Switch light off for best sound quality
- 1 Battery running low may affect the sound quality & LED brightness.

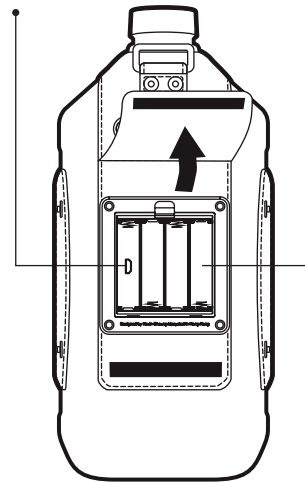
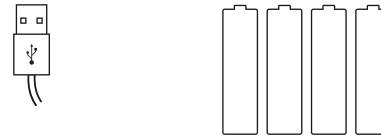
- ✦ Rechargeable batteries are strongly recommended.
- ✦ Dispose of batteries according to your local environmental laws & guidelines.

Setting Up

Step 1: Power up by **A** or **B**

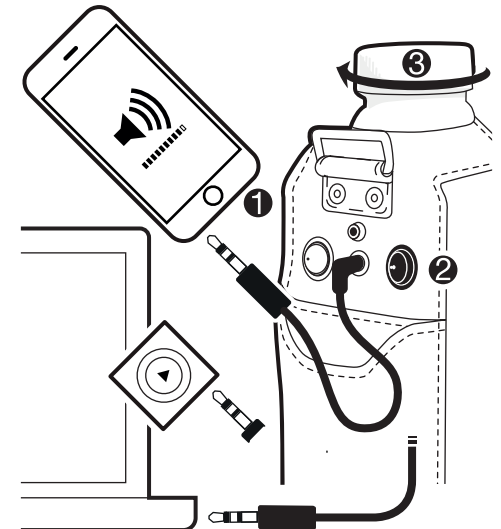
A Plug into a computer or any USB power slot.

B Insert 4 AA batteries, following the indicated + & - direction.



Step 2: Plug in the media player

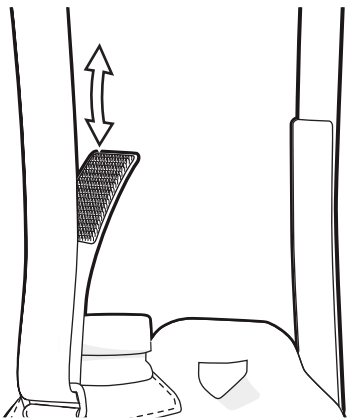
- 1 Plug headphone jack into a media player* to start playing and turn up the volume on the player.
- 2 Turn on the amplifier on Boombottle with the **black** button.
- 3 Adjust the volume by turning the bottle cap.



* Compatible with iPhones, iPods and most MP3 players.
Extension headphone cables may be required to connect to computer.

Adjustable shoulder strap

Velcro is attached at both ends for easy adjustment of length.



As the product is made of used materials, minor scratches might appear but will not affect the performance of the device.



Package includes:
Boombottle, Shoulder strap, USB extension cable.
(Batteries are not included)

The product, packaging, logo and wordmark are intellectual properties of Cheung Wai Chun.

© 2014 Cheung Wai Chun. All rights reserved.

6-month Limited Warranty

Boombottle is designed not only to let you enjoy music everywhere you go, but also draw people's attention to you. However, just like most electronic products, sometimes it does have technical problems due to manufacturing defects. This is why we offer a six-month limited replacement warranty, from purchase date, against manufacturer defects on each Boombottle we sell.

How does it work?

If you find this product defective within the limited warranty period, please send in an e-mail to mail@kevin-cheung.com

1. Give details of the problems you are experiencing. (Preferable with pictures or videos)
2. Attach with a scanned **proof of purchase**.
3. Provide the **serial number** which can be found on the bottom of the Boombottle.

In case the identified defect is due to workmanship, we will arrange a free replacement or repair depending on the situation.

This warranty does not apply to cases of abuse or misuse of the product, ordinary wear and tear, incorrect connection, act of God or unauthorized repair.

What if warranty expired?

If this product is found defective or damaged by accident after the limited warranty period and you would like to have it repaired, you can still send in an e-mail to mail@kevin-cheung.com

1. Give details of the problems you are experiencing. (Preferable with pictures or videos)
2. Provide the **serial number** which can be found on the bottom of the Boombottle.

Depending on the situation and spare parts we have, we can offer a repair service at the cost **no greater than 50%** of the current or latest retail price of the product.

⚠ Cautions

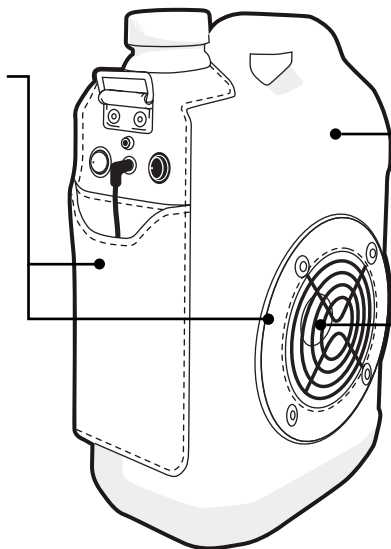
- Using Boombottle limits your ability to hear noises around you, regardless of the volume. Please use with caution. When using this device please be considerate and do not disturb others nearby.
- Do not drop, press, sit on, or allow Boombottle to have direct contact with water or heat.
- Turn the volume control cap with extra care. Stop turning when it reaches both ends.

Where does the Boombottle come from?

This is a collaboration between the designer, different agencies and NGOs to bring this unique product to you. Boombottle is made in Hong Kong from waste materials produced locally. From sourcing the raw materials to the assembly line, we are making a positive impact on society one step at a time.



Felt material
is leftover carpet
collected from the
Hong Kong Convention
and Exhibition Centre



仁愛堂環保園塑膠資源再生中心
Yan Oi Tong EcoPark Plastic Resources Recycling Centre

HDPE Bottle

is collected from the Yan Oi Tong Plastic Resources Recycling Centre, the first local plastic recycling centre based in Hong Kong.

otaki

Speaker components
are developed by Otaki (HK) Ltd. Based in Hong Kong, they are specialised in audio technology.



Assembly and production

by Sheltered Workshop, Rehabilitation Services, St. James' Settlement. It is Hong Kong's first sheltered workshop established in 1973 to provide employment services to people with disabilities.